



# ASSEMBLY GUIDE

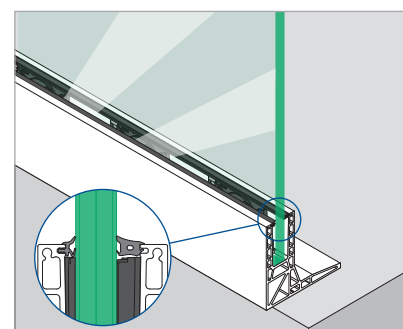
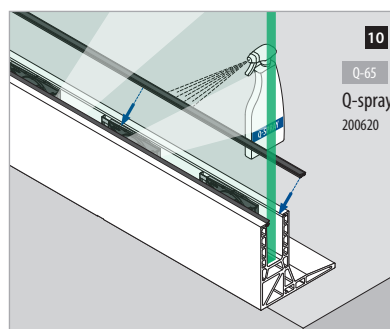
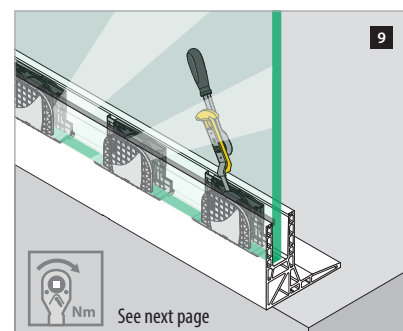
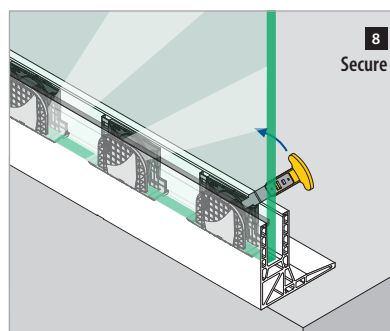
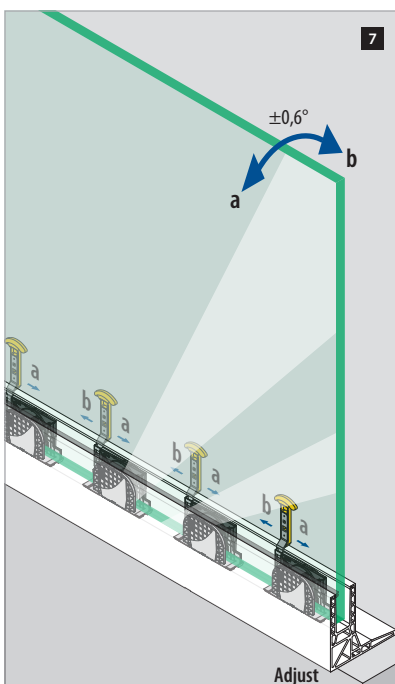
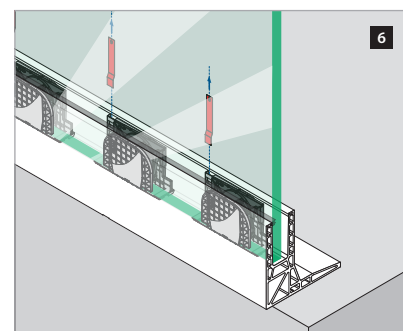
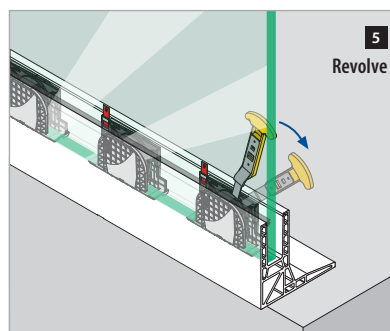
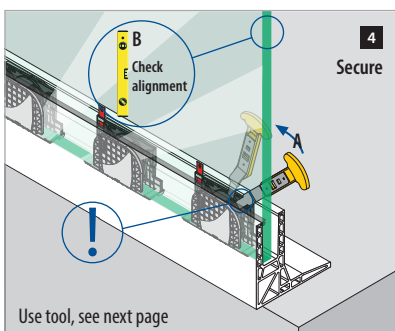
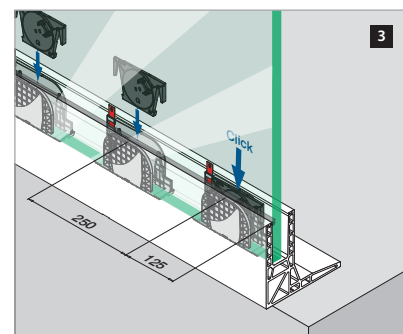
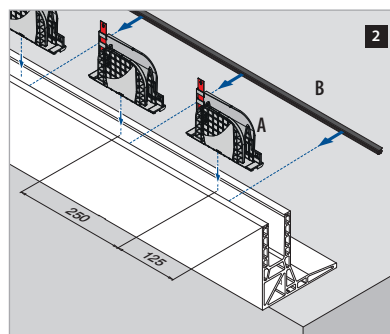
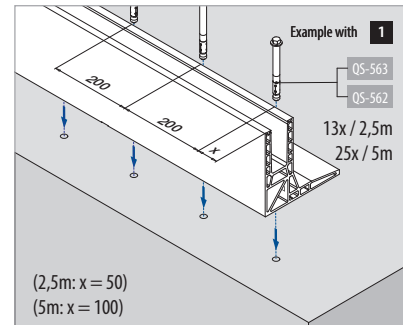
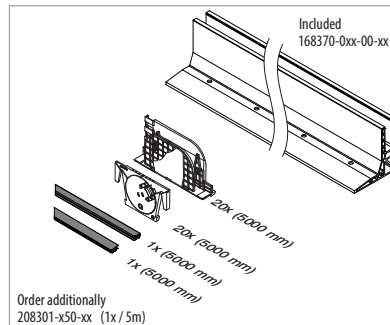
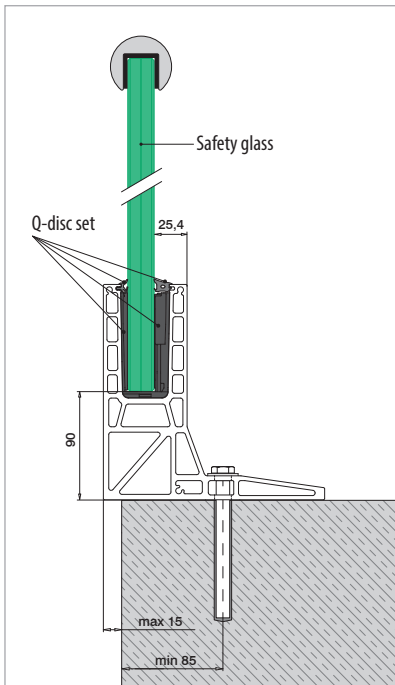
168370-0xx-00-xx

Railing base

EASY GLASS® SMART+ HIGH F - Base shoe, top mount

For adjustable glass fixation

Q-INFO MOD 8370



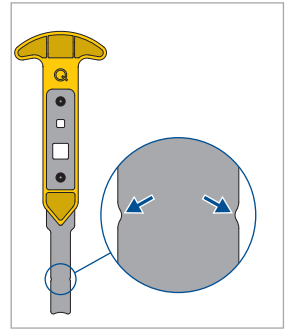
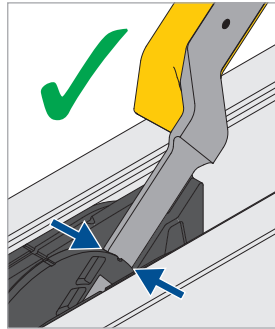
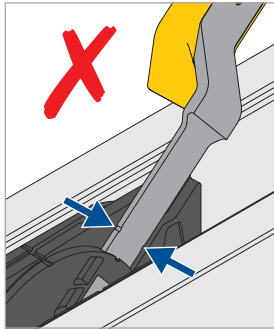
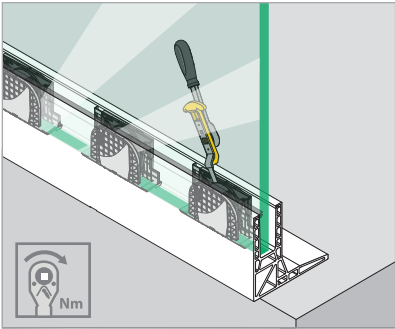


Q-disc® System

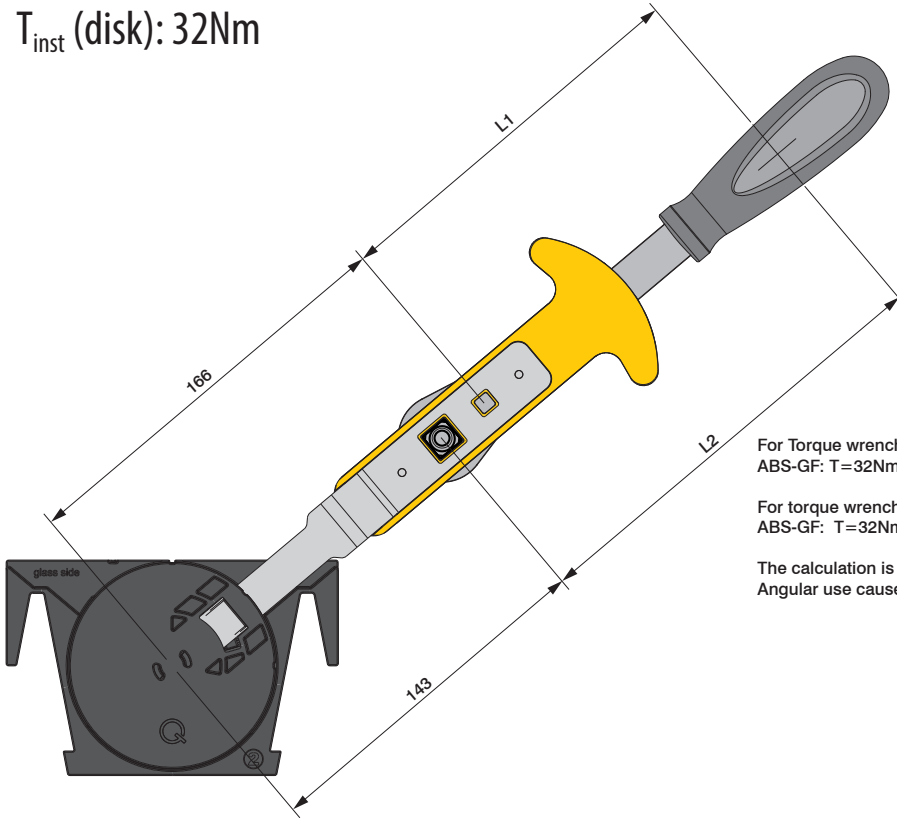
### Q-disc and inlay tool

For adjustable glass fixation

Q-INFO MOD 8301 / 1000



$T_{inst}$  (disk): 32Nm



For Torque wrench 1/4":  
ABS-GF:  $T = 32Nm * L_1 / (L_1 + 166mm)$

For torque wrench 1/2":  
ABS-GF:  $T = 32Nm * L_2 / (L_2 + 143mm)$

The calculation is valid for straight-lined use.  
Angular use causes different torque.